

*There is more than 1 version of this model.
Page down to identify the version you have.*

FAUCET DESCRIPTION

- Chrome plated solid brass construction
- Single hole mount designed to deliver either tempered or ambient water.
- Vandal resistant
- Optional 4" deck plate available, 99550

OPERATION

- ADA compliant lever style handle
- Cycle time easily adjusted from 5 to 60 seconds, independent from water pressure
- Operates with water supply line pressures of 20 to 125psi
- Factory preset to automatically shut off after 10 seconds
- 1/2" IPS supply shank

FLOW

- 0.5gpm max (1.9 L/min) vandal-resistant multi-stream laminar flow limits water discharge to a maximum of 0.25gpc (0.95 L/cycle) @ 30 seconds or 0.20gpc (0.76 L/cycle) @ 24 seconds

CARTRIDGE

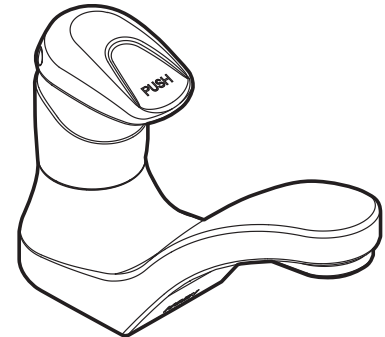
- 52100 brass shell cartridge
- Self contained metering mechanism which is separate from the potable water supply

STANDARDS

- Third party certified to ASME A112.18.1/CSA B125.1, and all applicable specifications referenced therein
- Contains no more than 0.25% weighed average lead content
- ADA compliant for lever handle
- CalGreen compliant

WARRANTY

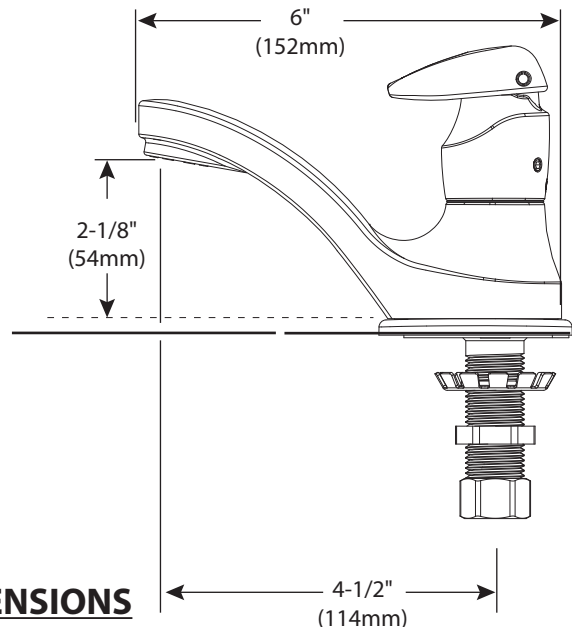
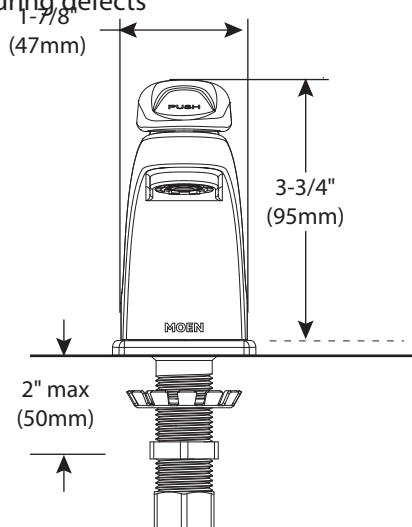
- Warranted for 5 years against material or manufacturing defects



Single-Handle ADA Metering Lavatory Faucet

Model: 8884 (Chrome)

NOTE: DESIGNED TO BE INSTALLED THROUGH 1 HOLE 7/8" MIN. DIA.



CRITICAL DIMENSIONS

(DO NOT SCALE)

FAUCET DESCRIPTION

- Chrome plated brass construction
- Single hole mount designed to deliver either tempered or ambient water.
- Vandal resistant
- Optional 4" deck plate available, 99550

OPERATION

- ADA compliant lever style handle
- Cycle time easily adjusted from 10 to 60 seconds
- Factory preset to automatically shut off after 10 seconds at 80 psi
- 1/2" IPS supply shanks


FLOW

- Vandal resistant 0.5 GPM aerator limits water discharge to a maximum of .25 gpc (.95 L/cycle), 30 seconds max.

CARTRIDGE

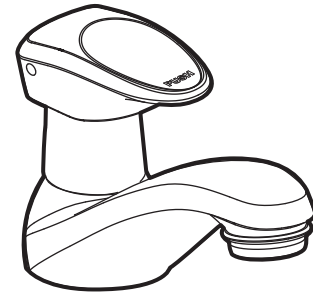
- 52100 brass shell cartridge
- Nonmetallic and nonferrous material
- Self contained metering mechanism which is separate from the potable water supply

STANDARDS

- Third party certified to ASME A112.18.1/CSA B125.1, and all applicable specifications referenced therein
- ADA  for lever handle

WARRANTY

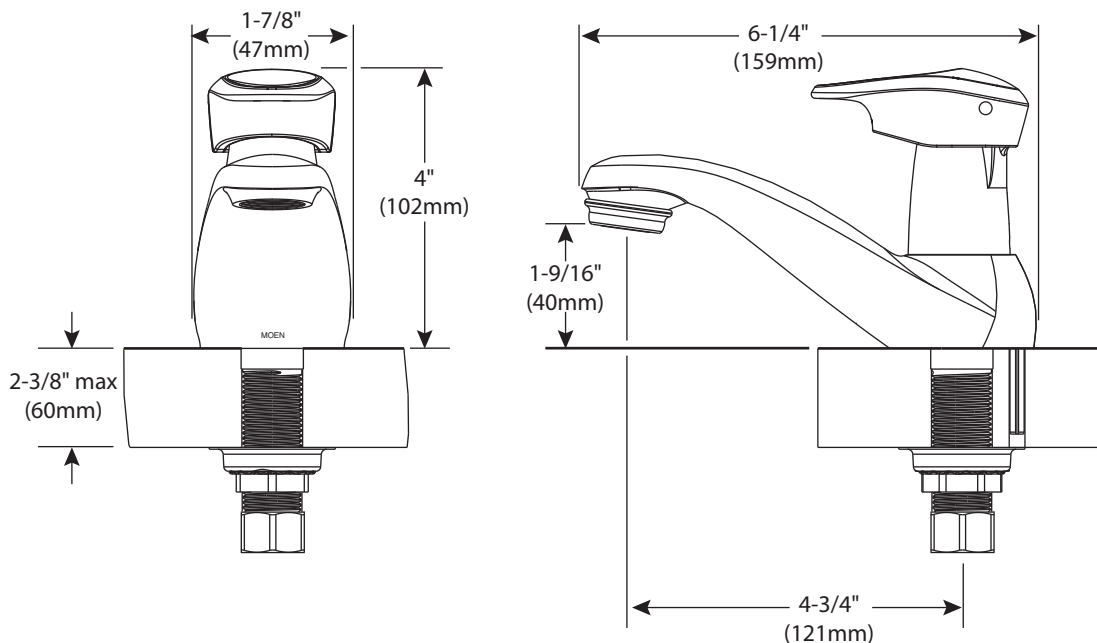
- Warranted for 5 years against material or manufacturing defects



Single-Handle ADA Metering Lavatory Faucet

Model: 8884 (Chrome)

NOTE: DESIGNED TO BE INSTALLED THROUGH 1 HOLE 7/8" MIN. DIA.



CRITICAL DIMENSIONS

(DO NOT SCALE)